



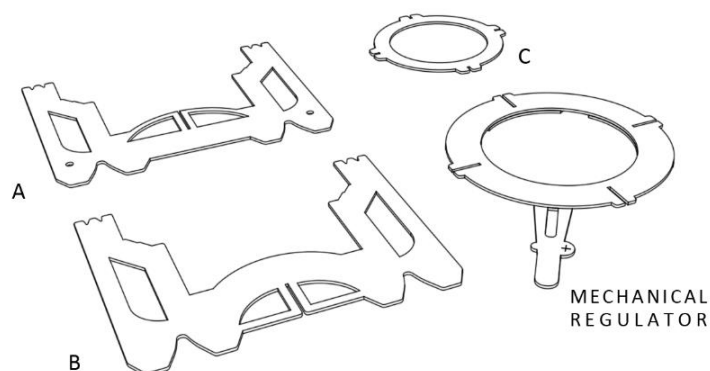
EMO ORIGAMI



PRODUCT DESCRIPTION

The stand serves as an accessory to the EMO alcohol stove. It increases stability and enables the use of containers with a wider bottom diameter for heating water and preparing food by cooking and roasting. Part of the stand is a mechanical regulator of the stove's performance, together they form ORIGAMI. Power regulation works in the range of approx. 25-100%. The maximum output of the EMO stove increases (compared to a free-standing stove) to a power level of approx. 115%. The stand can also be used independently without the regulator attached. The regulator cannot be used without a stand. Assembly and operation of ORIGAMI is simple and intuitive.

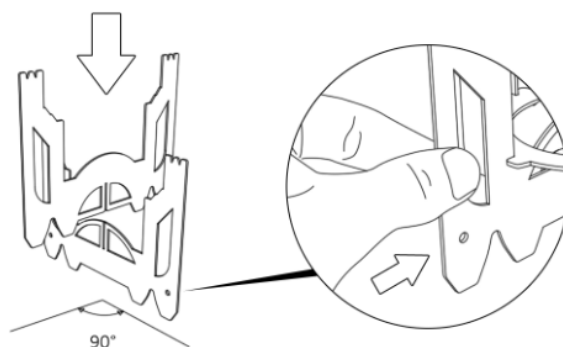
The stand of the EMO stove consists of parts A, B and C. The mechanical power regulator is a separate part that is inserted into the stand, creating a functional unit.



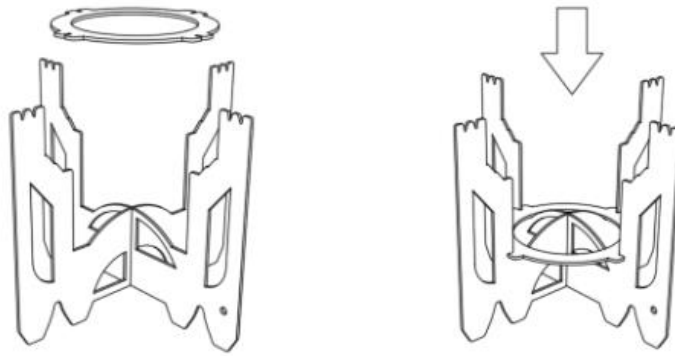
ASSEMBLY OF THE PRODUCT

Opening the package: Choose a solid, stable, non-flammable place to place the stand. Open the transport package by unclasp the button (stud) and gradually pull out (while folding) the individual parts of the stand and finally the mechanical regulator. Put away the transport packaging.

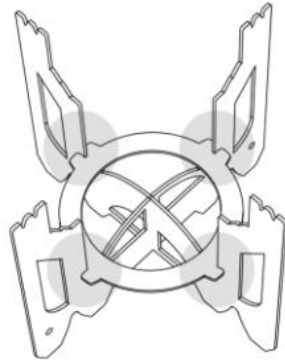
Assembling the stand: Assemble parts A and B by inserting the grooves perpendicularly into each other. From now on, the unheated stand can be carried by holding only part A (indicated by marks / small circular holes). Otherwise, the entire stand will fall apart when lifted.



Then, attach part C (fixing ring) from the top, which must rest on the bottom of the stand.

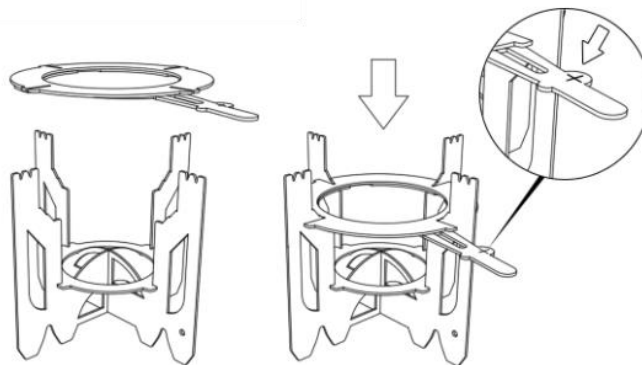


WARNING! Be sure to slide all four slots into the correct position!

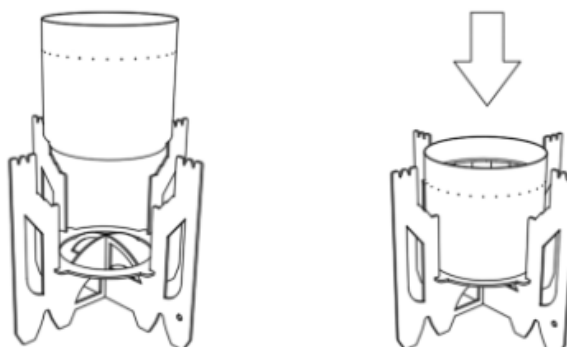


Assembling the regulator: If it is also necessary to place a mechanical power regulator, simply place it on the assembled stand (without the stove) from above. As with the fixing ring, care must be taken to slide all four grooves onto the stand (it doesn't matter which groove slides into which place).

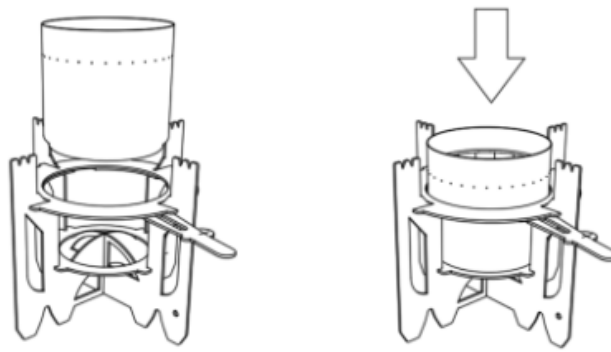
Attention: The regulator is correctly mounted (rotated) if the mark (+) is visible from the top of the handle!



Inserting the EMO alcohol stove: Insert the stove from above perpendicular to the axis of the stand. The stove should fit into the stand and stay firmly on the fixing ring. At this point the ORIGAMI is assembled and ready to use for cooking. Always use only an undamaged and fully functional EMO alcohol stove.



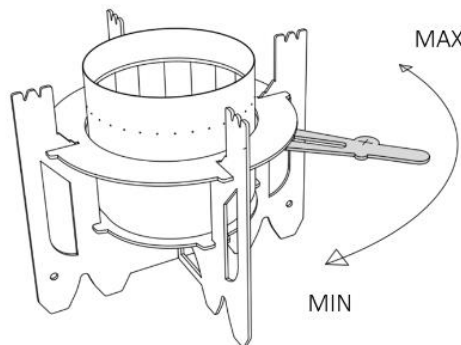
Stove in a stand without regulator



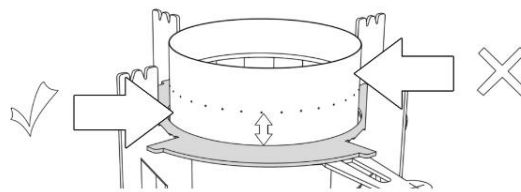
Stove in a stand with regulator

HANDLING IN USE

ORIGAMI must always be placed on a flat, solid and non-flammable surface. Before filling the stove with fuel, it is necessary to check the stability of the entire stand (even with the cooking vessel placed on it) and the correct movement of the control handle on the regulator. Move it to the minimum and maximum position, while it must reach its extreme positions Maximum and Minimum. The plus sign (+) on the control handle indicates the direction of adding power. Ignite the stove at the set maximum output!



The control handle on the regulator can be smoothly moved and adjusted from the maximum to the minimum position and vice versa. When moving, the entire regulator moves up and down. For proper functionality, it is necessary to ensure that the regulator never reaches above the lower level of the nozzles at minimum power (i.e. it is on).

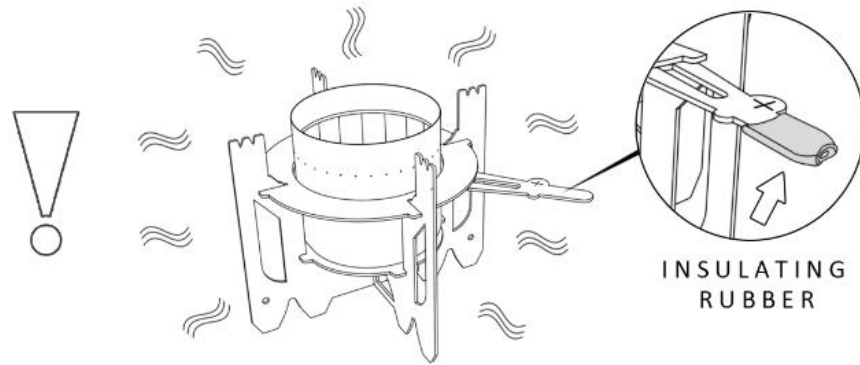


The upper level of the regulator must not cover the nozzles or reach higher

As the power of the stove decreases, fuel consumption decreases and the burning time increases. Estimated burning time for 45ml of fuel (at an ambient temperature of 25°C, no wind and the vessel is in place), at power: Maximum (14min), Minimum (55min). Stove separately in a stand without a used regulator (13min).

Attention: after the entire stand is heated and unevenly positioned, due to the property of metal expansion, a partial pinching effect may occur when the control handle is moved. This is a normal phenomenon that does not affect the function. At the same time, during use, the handle of the regulator may move involuntarily in the direction of Minimum, this is caused by vibrations when mixing food in the pot.

Attention: When the stove is burning, the entire ORIGAMI will be ignited! Therefore, be careful when handling! The level of heat depends on the surrounding weather conditions, the power of the stove and the shape of the cooking vessel used. Never use ORIGAMI in places where the surface could be deformed or its color changed due to the high heat generated when the stove is burning. When moving the control handle, always touch only the insulating rubber, which prevents burns! Insulating rubber, whose resistance is up to 125°C, should never be exposed to direct flame.



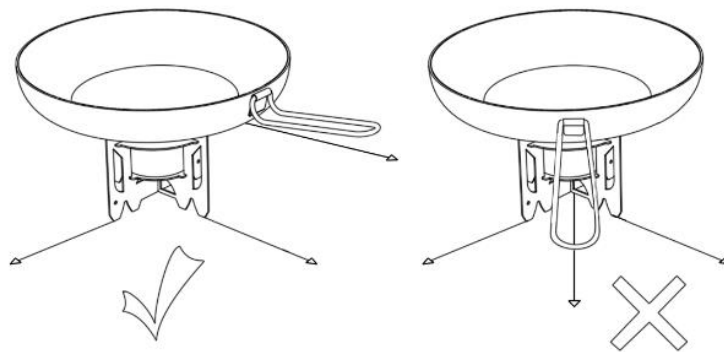
Invisible radiant heat is generated around the entire assembly during burning!

PLACEMENT OF A COOKING VESSEL ON THE ORIGAMI

Always try to place the center of the bottom of the container on the center of the rack, otherwise the container or the entire rack including the stove may tip over. For cooking, use only containers intended for cooking. The stand is intended for containers (mainly tourist) of smaller dimensions and lower weight. Pots, mugs, kettles and pans with a minimum bottom diameter of 9 cm can be placed on the stand. It is not possible to use the grill.

Power regulation is only functional if a vessel is placed on the stand. When the regulation is changed (by moving the regulation handle), the effect of reducing or increasing the power occurs with a delay of several seconds.

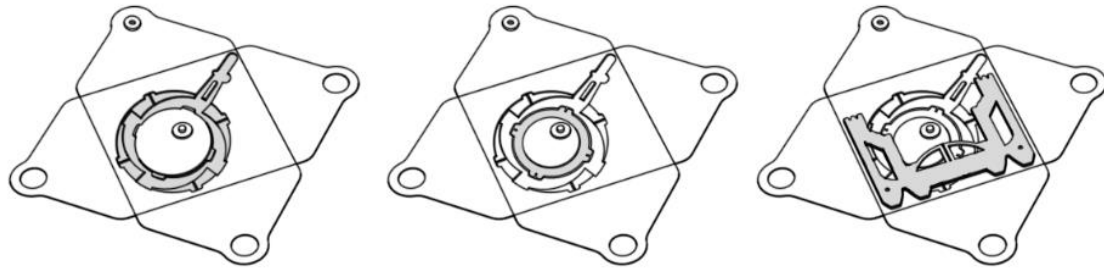
Attention: To achieve the greatest possible stability of the container on the stand, it is necessary to always orient the handle of the container in one of the two axes of the cross of the stand.



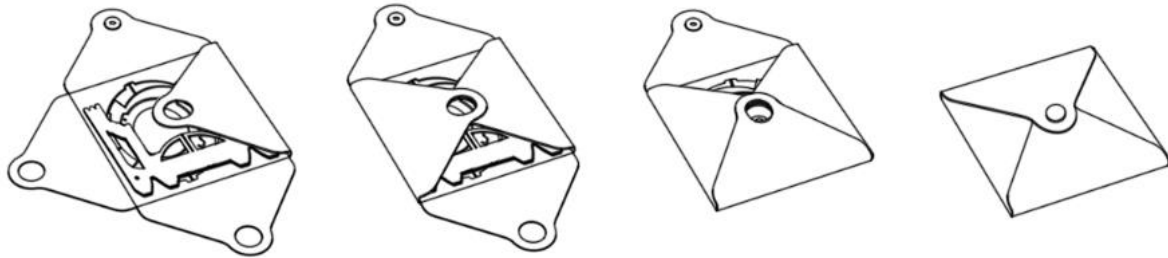
Advice: do not fill the container completely, the contents could over boiling. A suitable pot is necessary for long-term cooking, with thin-walled containers, it over boiling more quickly or the food burns on the bottom of the container. When moving the control handle, have a container placed and held on the stand as a load. Always leave a gap of at least 2 cm (0.8in) between any windscreen and the pot on the stove/stand.

DISTRIBUTION AND PLACEMENT IN THE PROTECTIVE PACKAGING

ORIGAMI should be transported exclusively in a closed protective transport package, which protects it from damage and at the same time protects, for example, the inside of the backpack and its contents from contamination or damage from ORIGAMI. The package must be protected from excessive heat. Never disassemble the stand with the regulator if the stove is still burning or has not completely cooled (this may take several minutes). The layout must be done in the opposite order of activities as the whole set was put together. Storage in the package is done by first inserting the mechanical regulator upside down (with the "+" sign at the bottom), inserting the fixing ring (part C) into its opening, placing the stand parts A and B on top. Then the package is folded and turned on.



Despite the fact that the entire structure is mechanically resistant, it is necessary to pay attention to excessive pressure, especially when carrying it in a backpack, etc., otherwise deformation and destruction of individual parts may occur.



Procedure for folding the protective packaging

CLEANING

In case of contamination (grease, dust), it is recommended to clean ORIGAMI and the protective transport packaging with ordinary kitchen soap and clean water. Always store perfectly dried. With use, the color of the surface of the parts of the stand and regulator will change irreversibly. This is a common phenomenon that does not affect functionality.

TECHNICAL INFORMATION

- Weight of the entire stand with regulator: 100g
- Weight of the stand alone without regulator: 65g
- Maximum permissible load of the stand: 3,5 kg
- Material of stand with regulator: stainless steel, rubber
- Weight of protective transport packaging: 9g
- Material of protective transport packaging: PVC, steel
- Dimensions in the protective case: 105 x 105 x 15mm

SAFETY NOTICE

Observe all safety and handling rules for using the EMO alcohol stove (see EMO alcohol stove user manual). Without sufficient familiarity with the use of the EMO stove, do not pour fuel into the stove and do not light it! Keep out of the reach of children and animals, especially when there is a lit or hot stove in the stand. ORIGAMI must not be used by children. Never use gloves when handling, they could be destroyed by excessive heat. It is forbidden to start a fire where it could spread uncontrollably. Never use ORIGAMI if any part of it is mechanically damaged or deformed!

contact: emo.outdoor@gmail.com

Made in Slovakia (EU)